

MV-VC330X-128G60

Vision Controller



Introduction

MV-VC330X-128G60 vision controller adopts Intel® i3-8100T CPU, and supports 8 GB memory. It supports 11-channel GPIO, and has multiple interfaces, such as, GigE, USB 2.0, and USB 3.0. The vision controller can be installed with additional light source, serial port, and IO extended modules.

Key Feature

- Adopts Intel® i3-8100T CPU and HD Graphics 630 GPU.
- Provides extended slot to connect with image frame grabbers.
- Supports 11-channel GPIO and NPN/PNP switching for output.
- Adopts Intel® GigE interfaces for stable data transmission.
- Built-in USB 3.0 dongle slot for on-site maintenance.
- Light source, serial port, and IO extended modules are optional.

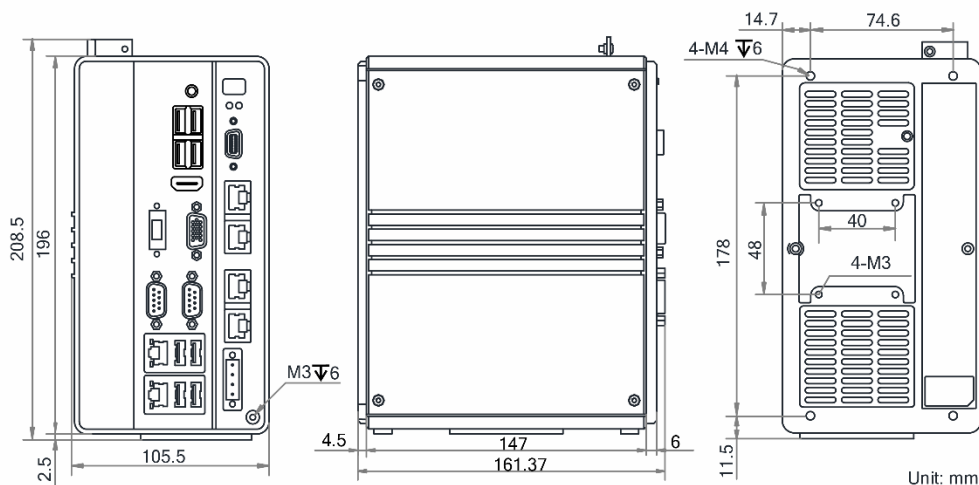
Available Model

- MV-VC3301-128G60
- MV-VC3302-128G60 (128 GB SSD + 2 TB HDD)
- MV-VC3303-128G60 (128 GB SSD + 2 TB HDD, PoE supported)

Applicable Industry

Consumer electronics, food and pharmaceutical, transportation, etc.

Dimension



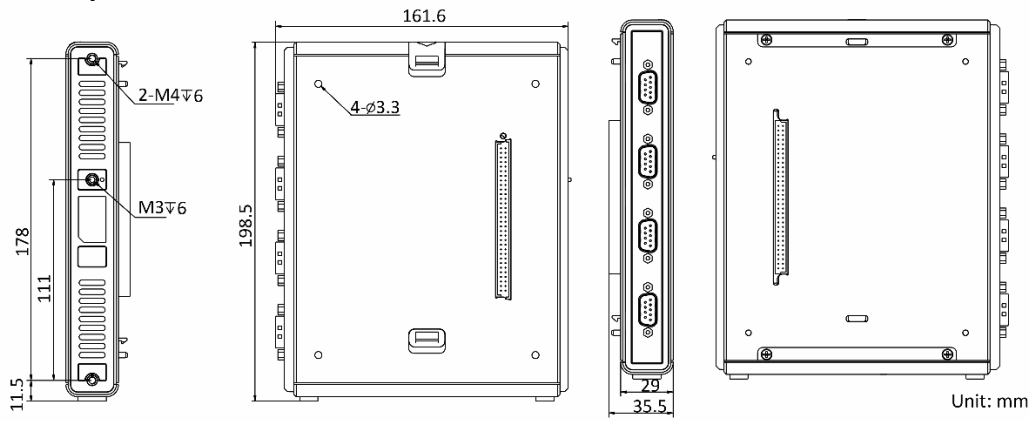
Specification

Model	MV-VC3301-128G60	MV-VC3302-128G60	MV-VC3303-128G60
Performance			
CPU	Intel® i3-8100T		
Memory	8 GB		
Storage	128 GB SSD	128 GB SSD + 2 TB HDD	128 GB SSD + 2 TB HDD
GPU	Intel® HD Graphics 630		
Operating system	Windows 10		
External interface			
Video output	HDMI interface × 1, VGA interface × 1 Supports dual display outputs, max. resolution 4096 × 2304 @24Hz		
GPIO	Opto-isolated input × 3, opto-isolated output × 8 Output supports NPN/PNP switch		
Network interface	Intel® GigE interface × 6	Intel® GigE interface × 6	Intel® GigE interface × 2, Intel® GigE interface with PoE × 4
USB interface	USB 2.0 × 4, USB 3.0 × 4		
Serial port	RS-232 × 2 (can be configured to RS-485 and RS-422 according to actual demands)		
Extended slot	No	PCIe ×16 (× 1), mSATA × 1	PCIe ×16 (× 1), mSATA × 1
Electrical features			
Power supply	24 VDC		
Power consumption	Approx. 60 W (without extended module)		
Mechanical			
Dimension	161.4 mm × 208.5 mm × 105.5 mm (6.4" × 8.2" × 4.2")		
Weight	Approx. 2.1 kg (4.6 lb.)		
Working temperature	0 °C to 42 °C (32 °F to 107.6 °F)		
Humidity	20% to 95% RH, non-condensing		
General			
Certifications	CE, FCC		

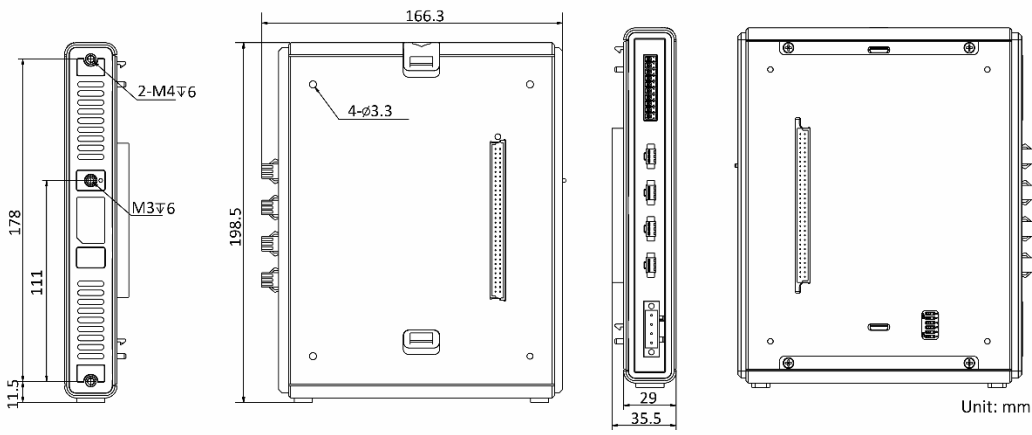
Accessories

Extended module Parameters	MV-VC-SR004	MV-VC-LV004	MV-VC-IO008
	Serial port extended module	Light source extended module	IO extended module
Function	RS-232 × 4	Light interfaces with 24 VDC constant voltage × 4. (Max. current 2.5 A for single light interface, total max. power consumption 70 W. Supports light mode switching between strobe and solid via external control.	Opto-isolated input × 8, opto-isolated output × 8, output supports NPN/PNP switch
Dimension	161.6 mm × 198.5 mm × 35.5 mm (6.4" × 7.8" × 1.4")	166.3 mm × 198.5 mm × 35.5 mm (6.5" × 7.8" × 1.4")	157.4 mm × 198.5 mm × 35.5 mm (6.2" × 7.8" × 1.4")
Weight	Approx. 0.8 kg (1.8 lb.)		

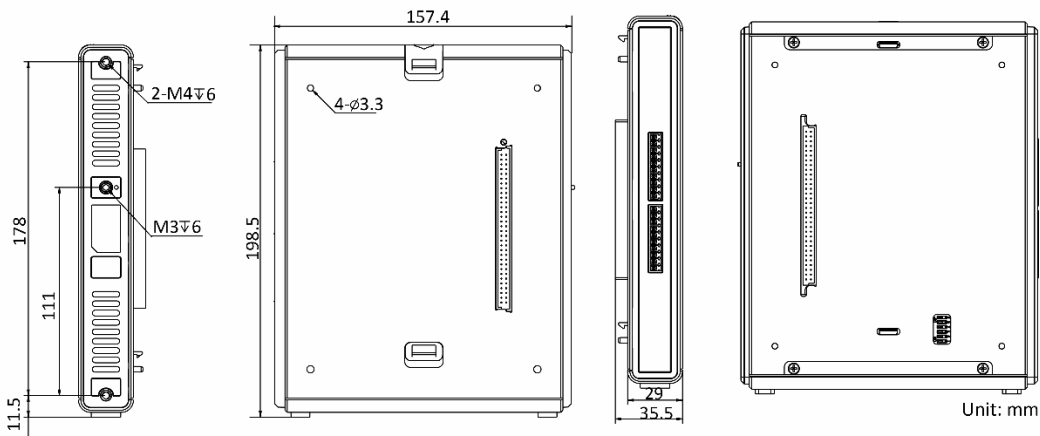
Serial port extended module



Light source extended module



IO extended module



HIKROBOT

Hangzhou Hikrobot Technology Co., Ltd.
No.399 Danfeng Road, Binjiang District, Hangzhou 310051, China.
en.hikrobotics.com

Copyright Hikrobot

Hangzhou Hikrobot Technology Co., Ltd. All Rights Reserved. Hangzhou Hikrobot Technology does not tolerate any infringement. Any organization or individual may not imitate or reproduce in whole or in part of the content. The data herein is based on Hikrobot's internal evaluation. Actual data may vary depending on specific configuration and operating condition. The information herein is subject to change without notice. All the content has been checked conscientiously. Nevertheless, Hikrobot shall not be liable to damages resulting from errors, inconsistencies or omissions.